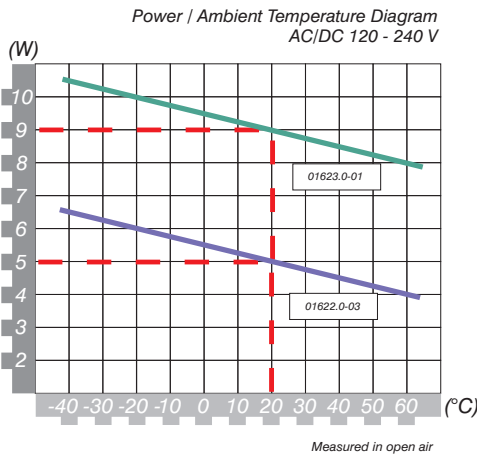




- Compact size**
- Wide voltage range**
- Heating power adjusts to ambient temperature**
- Energy saving**

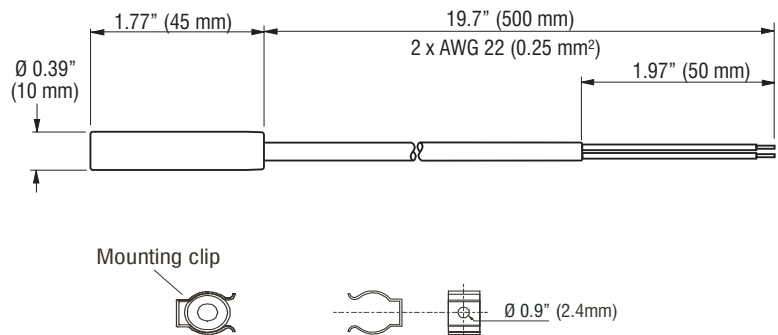
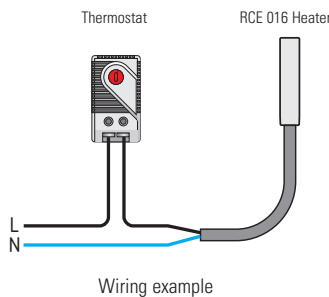
The RCE 016 small heaters have been designed to prevent condensation and to ensure a minimum operating temperature in small enclosures.



Technical Data

Operating voltage*	see table below
Heating element	PTC resistor - temperature limiting
Heater body	aluminum, anodized
Insulation	PTFE / Kapton
Mounting	2 pressure clips included (mounting screws not included)
Mounting position	variable
Operating / Storage temperature	-49 to +158°F (-45 to +70°C)
Protection class	II (double insulated)
Protection type	IP32

*Operating with voltages below 140V AC/DC reduces heating performance by approx. 10%.



Part No.	Heating capacity ¹⁾	Operating voltage	Max. current (inrush)	Surface temperature (approx.) ¹⁾	Weight (approx.)	Approvals
01622.0-03	5W	AC/DC 120-250V	2.0A	329°F (165°C)	0.7 oz. (20g)	UL File No. E150057, VDE
01623.0-01	9W	AC/DC 120-250V	2.5A	347°F (175°C)	0.7 oz. (20g)	UL File No. E150057, VDE
01624.0-03	5W	AC/DC 12-30V	5.8A	284°F (140°C)	0.7 oz. (20g)	UL File No. E150057
01625.0-02	9W	AC/DC 12-30V	2.4A	360°F (182°C)	0.7 oz. (20g)	UL File No. E150057

¹⁾ at 68°F (20°C) ambient temperature

Specifications are subject to change without notice. Suitability of this product for its intended use and any associated risks must be determined by the end customer/ buyer in its final application.